

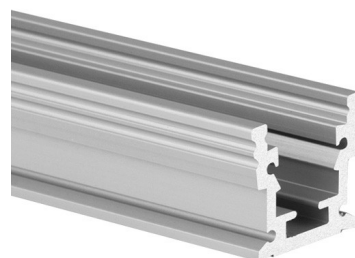
## PRODUCT DESCRIPTION

- For indoor/outdoor ground installation
- Designed for IP68 and IK10 protection ratings
- Corrosion resistance at high salinity
- Corresponds to the width of the HR-OPTI facade system

### FINISH :

Silver anodized 

\*Custom colors available upon request



Fill empty fields

Product nr.

Fixture type

Company

Job name

Date

## TECHNICAL SPECIFICATION

### Application

- warning and decorative lighting

### Mounting

- in the ground, with mounting adhesive and a dedicated mounting track
- the cover is cut to the length of the profile

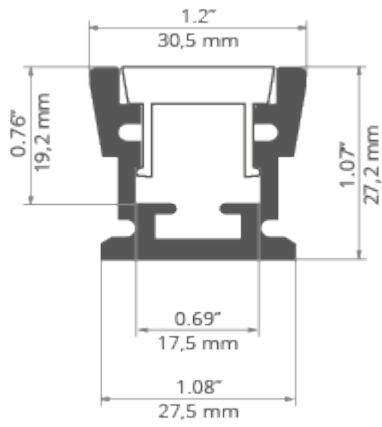
### Additional information

- possibility of smooth transition from a recessed into a surface-mounted fixture
- use of clips facilitates the assembly of the lighting fixture
- compatible with a dedicated HR-MAX-T and HR-MAX-TW mounting tracks

## AVAILABLE LENGTHS

Ref. nr.	surface finish	available lengths
C1829ANODA_1	Silver anodized	1000 mm
C1829ANODA_2	Silver anodized	2000 mm
C1829ANODA_3	Silver anodized	3000 mm

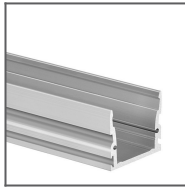
TECHNICAL DRAWING



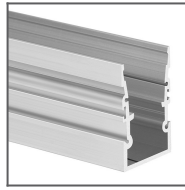
**RELATED PROFILES**



HR-MAX System  
Ref: C1829 (HR-  
MAX) + C1827  
(HR-MAX-T) +  
C1828 (HR-MAX-  
TW)



HR-MAX-T Profile  
Ref: C1827



HR-MAX-TW  
Profile  
Ref: C1828

## RELATED PRODUCTS

### COVERS

#### SEMI-TRANSPARENT COVERS



HR-21 frosted  
Cover  
Ref: 17152

### END CAPS

#### STEEL



HR-MAX-STN End  
cap  
Ref: 24388

### ACCESSORIES

#### SEALING COMPONENTS



Hermetic splitter  
Ref: 42703



Hermetic coupler  
Ref: 42702



M16 x 1.5 Gland  
Ref: 42271

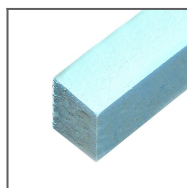


M16 x 1,5 - L90  
Angular gland  
Ref: 42289

#### ADDITIONAL ITEMS



HR-MAX clip  
Ref: 24416



HR-MAX Pad  
Ref: 70547

MARKETING MATERIALS



Foam 70569  
Ref: 70569



Display  
P230-90223M  
Ref: 90223M