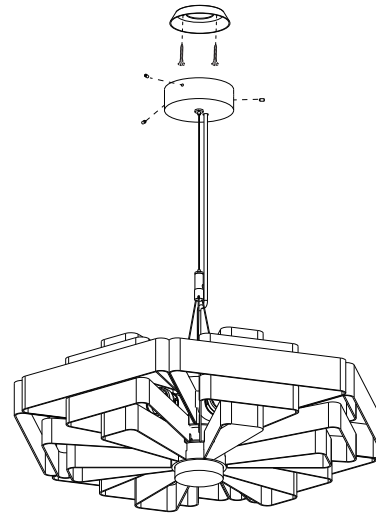
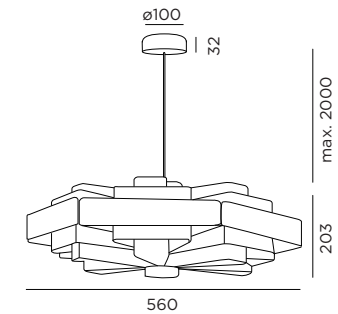


J.J.W. 04

INSTALLATION INSTRUCTIONS | DECEMBER 2020

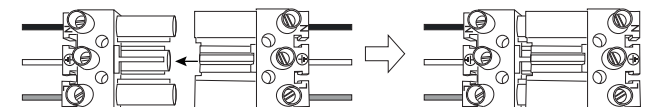


DIMENSIONS



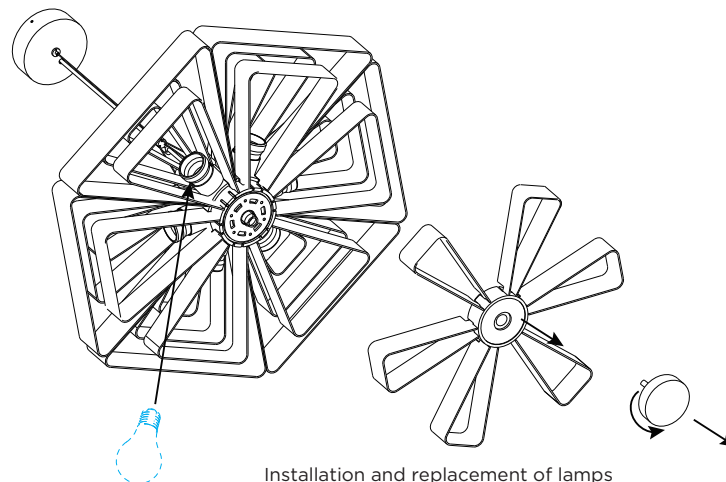
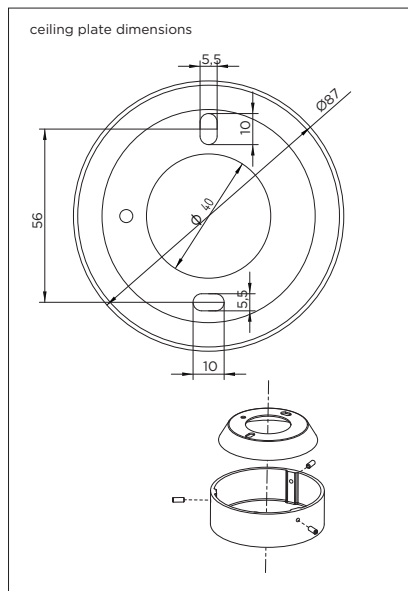
MOUNTING INSTRUCTION

- 1 Place the lamps first before mounting the fixture (lamps are not included).
- 2 Remove the ceiling plate and mount it on the ceiling with screws (screws are not included).
- 3 **POWER CONNECTION**
connect to 220-240V



- 4 Mount the fixture to the top plate.
- 5 **EXTRA INFO**

Lamp replacement: all lamps can be replaced by hand, make sure the lamp is cold. For aesthetical reasons: please make sure that the lamellas hang parallel after installation.



Installation and replacement of lamps