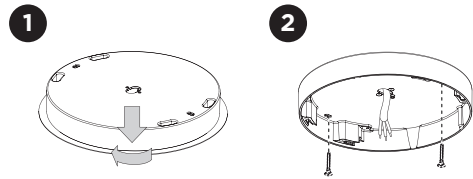
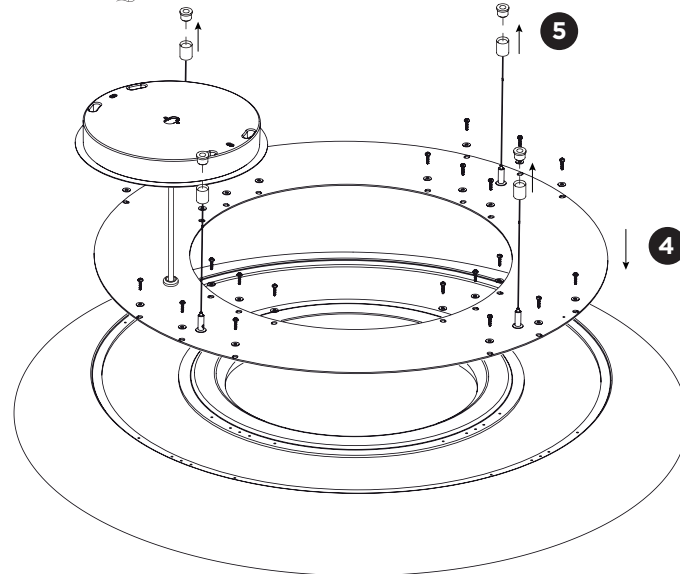
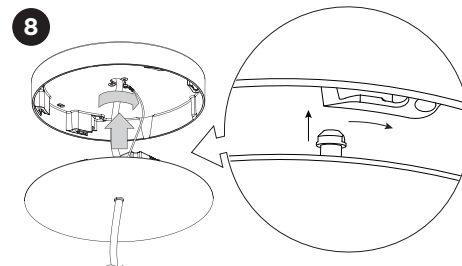
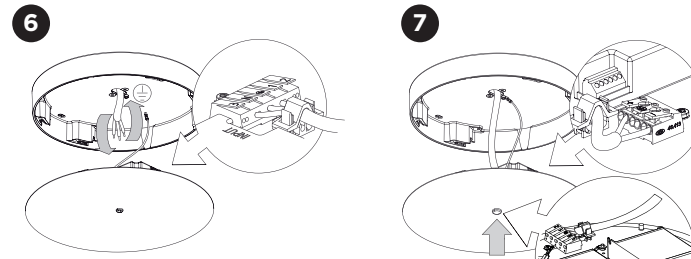
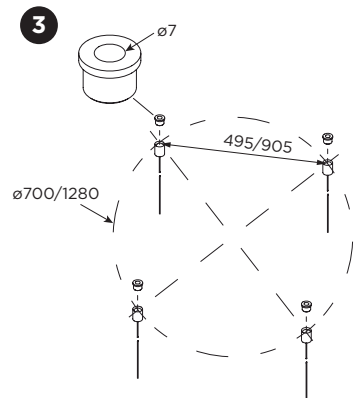
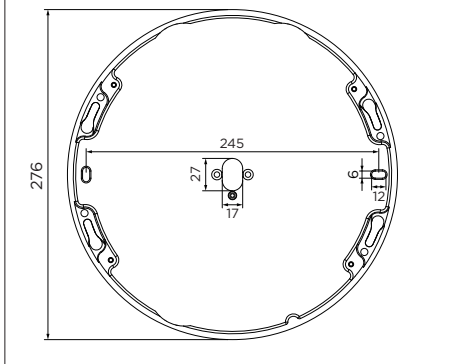


# GIGANT

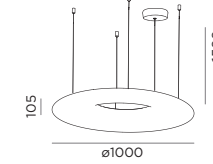
INSTALLATION INSTRUCTIONS | SEPTEMBER 2024



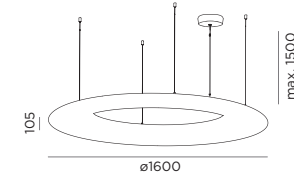
Ceiling base:



## DIMENSIONS



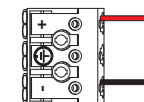
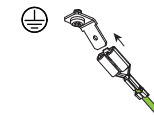
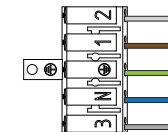
GIGANT 10.0



GIGANT 16.0

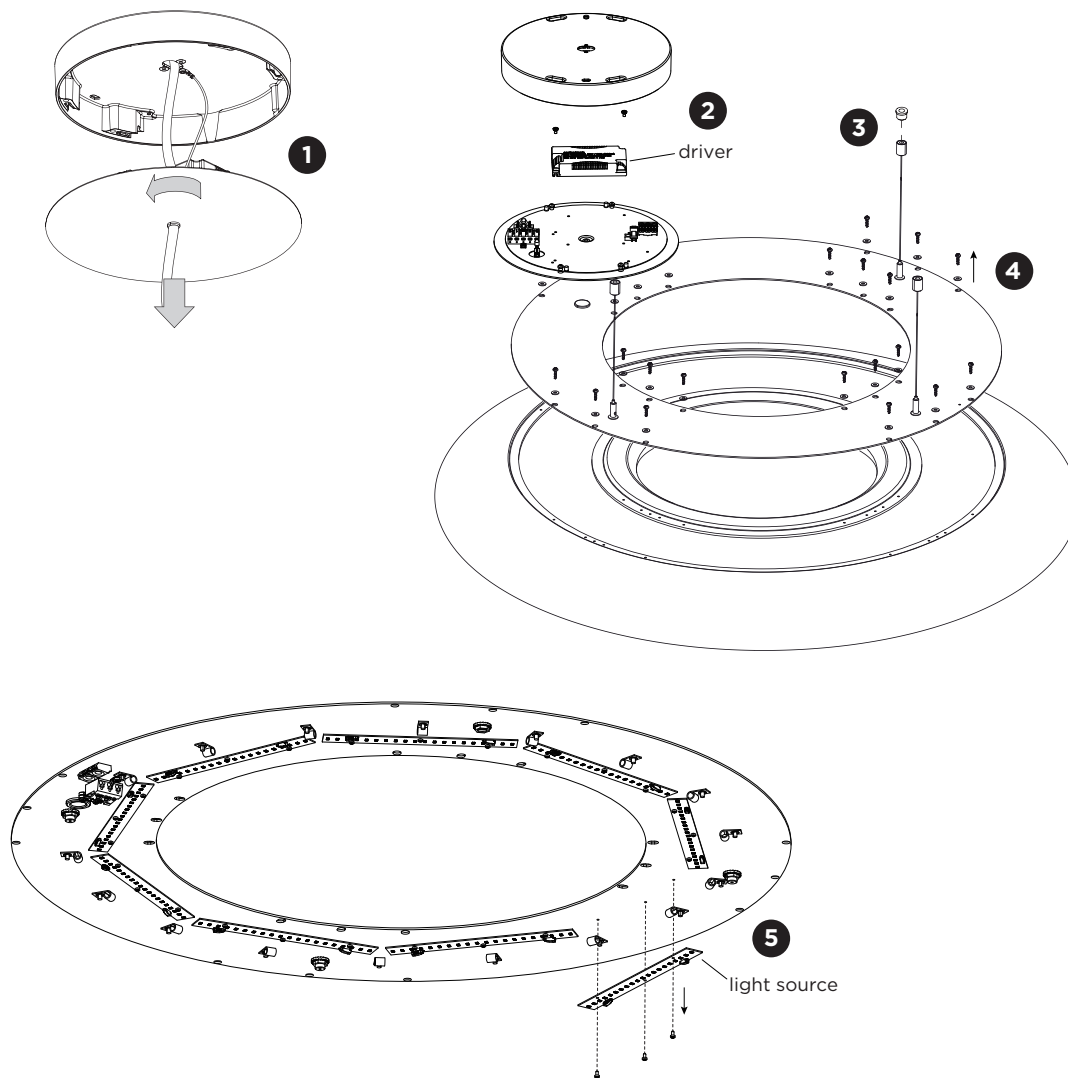
## MOUNTING INSTRUCTION

- 1 Open the ceiling base by turning the cover counter clockwise. Mark the screw holes.
- 2 Pull the cable through the base and fix the base to the ceiling with screws (screws are not included).
- 3 Mount the upper parts of the rope holders to the ceiling.
- 4 Mount the plate to the diffuser by screwing it on.
- 5 Screw the lower parts of the rope holder to the upper parts.
- 6 **POWER CONNECTION**  
Fix the cable in the strain relief. Connect to 220-240V. Connect the earth cable.
- 7 Pull the cable through the cover and fix it in the strain relief. Connect the wires to the connector(s).
- 8 Attach the cover to the ceiling base by aligning the four pins with the slots and turning it clockwise.



# GIGANT

INSTALLATION INSTRUCTIONS | SEPTEMBER 2024



## DISMOUNTING AND RECYCLING INSTRUCTIONS

### Light source & driver

- 1 Loosen the cover from the ceiling base by turning it a quarter counter clockwise.
- 2 Disconnect the wires and remove the driver(s).
- 3 Loosen the rope holders and put the fixture to ground level.
- 4 Unscrew the plate from the diffuser.
- 5 Disconnect the wires and unscrew the light sources.



The light source is replaceable by Wever & Ducre or by a professional with explicit authorisation. For more information please contact your local Wever & Ducre customer service point.



The driver can be replaced by the end user.



This luminaire contains a light source with the energy class F.



WEVER & DUCRÉ  
LIGHTING

WEVER & DUCRÉ BV  
Spinnerijstraat 99/21, 8500 Kortrijk, Belgium  
weverducre.com