



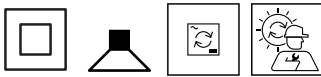
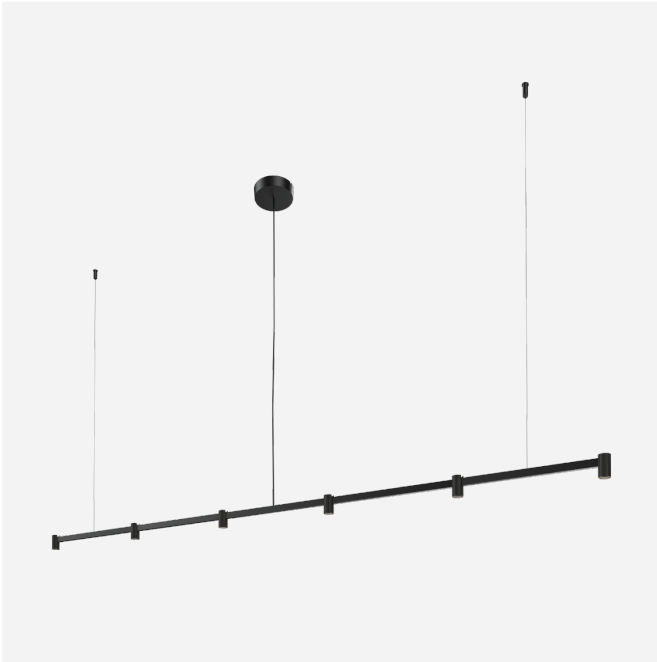
**PROJECT** \_\_\_\_\_

**TYPE** \_\_\_\_\_

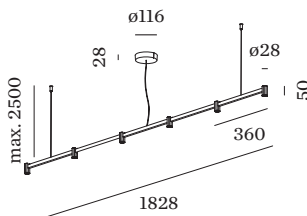
**NOTES** \_\_\_\_\_

**QUANTITY** \_\_\_\_\_

**DATE** \_\_\_\_\_



Ceiling suspended luminaire made from aluminium; with 6 spotlights; inclusive adjustable cable suspension max. 2500mm; surface Black Matt; powder coated, matt texture; RAL 9005; with COB (Chip on Board) technology for maximum efficiency; phase-cut dim; light colour 2700 K; binning initial MacAdam  $\leq 2$  SDCM; CRI  $\geq 90$ ; beam angle 30°; 220 - 240 V; degree of protection IP20; Class 2; driver included; light source replaceable by Wever & Ducré or by a professional with explicit authorization; control gear replaceable by end-user;



**GENERAL**

Ceiling \_\_\_\_\_  
 Suspended \_\_\_\_\_  
 Black Matt \_\_\_\_\_  
 RAL 9005 <sup>a</sup> \_\_\_\_\_  
 IP20 \_\_\_\_\_  
 Interior \_\_\_\_\_  
 CIE flux code: 95 99 100 100 \_\_\_\_\_  
 100 \_\_\_\_\_

**LED**

2700 K \_\_\_\_\_  
 CRI  $\geq 90$  \_\_\_\_\_  
 L80 / 50000h \_\_\_\_\_  
 initial MacAdam  $\leq 2$  SDCM \_\_\_\_\_

**OPTICAL**

Standard \_\_\_\_\_  
 beam angle 30° \_\_\_\_\_

**ELECTRICAL**

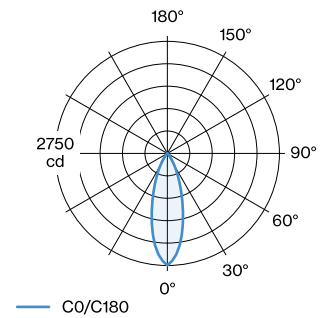
phase-cut dim \_\_\_\_\_  
 220 - 240 V \_\_\_\_\_  
 system 16.0 W \_\_\_\_\_  
 Class 2 \_\_\_\_\_

**PHYSICAL**

length 1828 mm \_\_\_\_\_  
 width 28 mm \_\_\_\_\_  
 height 50 mm \_\_\_\_\_  
 0.84 kg \_\_\_\_\_

<sup>a</sup> Colour may deviate slightly due to production conditions.

**LIGHT DISTRIBUTION**





**Maintenance Factor**

Operating Time [h]	10.000	20.000	30.000	40.000	50.000
LLMF	0.96	0.92	0.88	0.85	0.81
LSF	1	1	1	1	1

MF	$LMF \times RSMF \times LLMF \times LSF$	RSMF <sup>a</sup>	Room Surface Maintenance Factor
MF	Maintenance Factor	LLMF	Lamp Lumens Maintenance Factor
LMF <sup>a</sup>	Luminaire Maintenance Factor	LSF	Lamp Survival Factor

<sup>a</sup>According to "CIE 97, Maintenance of indoor electric lighting systems", 2005, ISBN 3-900-734-34-8. The values must be determined by the planner.