

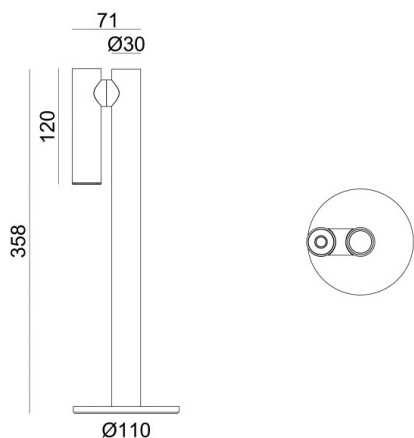
MIMO

333-00001

MIMO T TABLE LUMINAIRE made of aluminium, anthrazite, similar to RAL 7016, lens beam 30°, accessoire: Ladestation, light output direct, UGR 8, tilting 360°, dimmability: Touch Dim, IP54



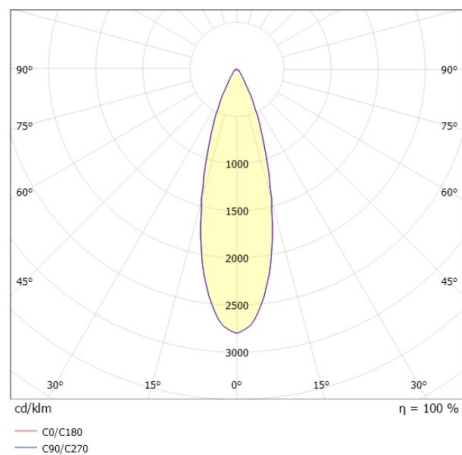
DRAWING



TECHNICAL DETAILS

|                       |                    |
|-----------------------|--------------------|
| System perform. [W]   | 2,2                |
| Bulb type             | LED                |
| Luminous flux [lm]    | 50                 |
| Colour temp. [K]      | 2700K              |
| CRI                   | >80                |
| UGR                   | 8                  |
| Optics                | lens               |
| Light output          | direct             |
| Beam angle [°]        | 30°                |
| Voltage [V]           | 220-240V 50/60Hz   |
| Material              | aluminium          |
| Height [mm]           | 358                |
| Diameter [mm]         | 110                |
| IP protection class   | IP54               |
| Voltage class         | protection cl. III |
| Net weight [kg]       | 0,87               |
| Colour lamp           | anthrazite         |
| RAL                   | 7016               |
| EAN-Number            | 9010870416161      |
| Energy efficiency cl. | E                  |

LIGHT DISTRIBUTION CURVE



The values are rated values. Power and luminous flux are initially subject to a tolerance of +/- 10%. Colour temperature tolerance: +/- 150 K. The values apply to an ambient temperature of 25°C unless otherwise specified.