

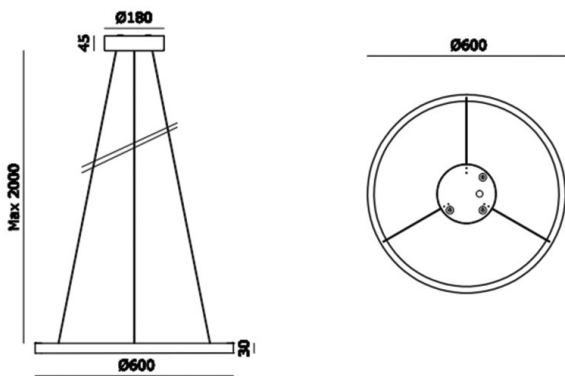
PERFORA

222-00074

PERFORA M PD SUSPENSION made of aluminium, black, similar to RAL 9005, polycarbonate cover beam 110°, light output direct, UGR <22, with converter, max. 900mA, dimmability: DALI 2, Push, cable Tension control in the suspension ropes, adapter/ceiling base black, pendant length 2000mm, IP20 cable length 2000mm



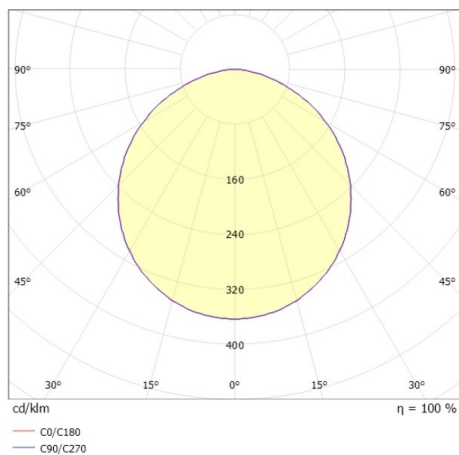
DRAWING



TECHNICAL DETAILS

System perform. [W]	38
Bulb type	LED
Luminous flux [lm]	1870/2020
Current sec. [mA]	900
Colour temp. [K]	2700/3000K
CRI	>90
UGR	<22
Optics	polycarbonate cover
Converter	with converter
Light output	direct
Beam angle [°]	110°
Voltage [V]	220-240V 50Hz
Material	aluminium
Height [mm]	30
Pendant length [mm]	2000
Diameter [mm]	600
IP protection class	IP20
Voltage class	protection cl. I
Shock resistance	IK02
Net weight [kg]	2,20
Colour lamp	black
RAL	9005
Colour adapter/ceiling base	black
Electric wire	Tension control in the suspension ropes
EAN-Number	9010870313996
Lifetime [h]	L80 B10 50 000
Energy efficiency cl.	E
No. of luminaires B16A	25

LIGHT DISTRIBUTION CURVE



The values are rated values. Power and luminous flux are initially subject to a tolerance of +/- 10%. Colour temperature tolerance: +/- 150 K. The values apply to an ambient temperature of 25°C unless otherwise specified.